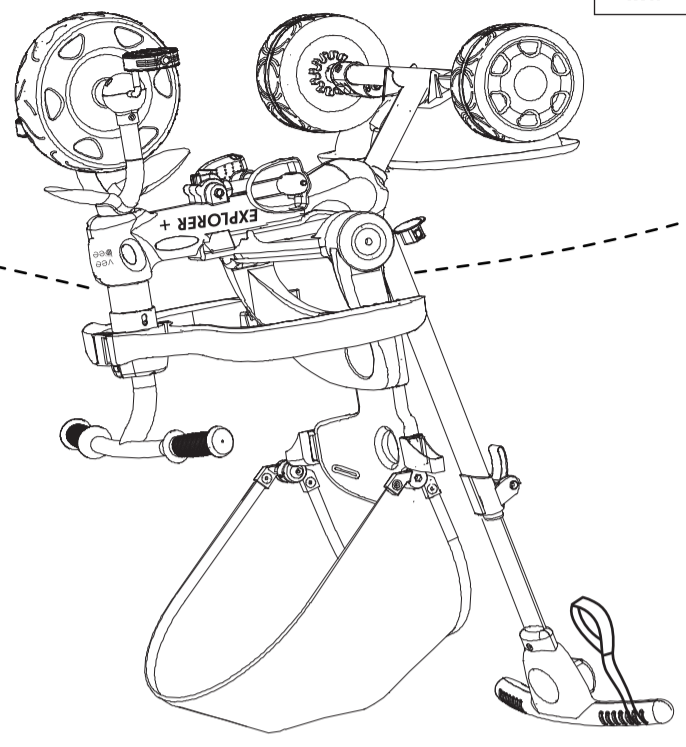


AGES
10-36 MONTHS
MAX
25 KG



USER MANUAL

Multi-stage reclining trike
EXPLORER PLUS
veebee.com.au
veebee

WARNING!
FOLLOW THESE INSTRUCTIONS TO AVOID SERIOUS INJURY

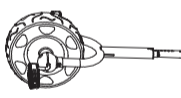
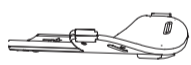


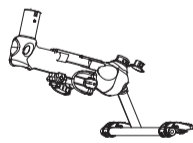


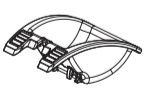


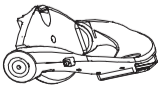
1. This trike is not considered a replacement for a pram or stroller. Parental supervision is required at all times.
2. Not recommended for a child under 6 months of age.
3. Before riding, please check that all fasteners are correctly secured.
4. Shoes should always be worn when riding.
5. For your child's safety, always use safety equipment such as a helmet and use the harness at all appropriate times.
6. Always use the tether strap while using the parental handle.
7. To be used on smooth paved surfaces without any traffic only.
8. Never use near motor vehicles. Not for use on streets, swimming pools, hills, steps or sloped driveways.
9. Not to be used at dusk, night or at times of limited visibility and unfit weather conditions.
10. Replace worn/broken parts immediately only with parts approved by the manufacturer.
11. Only one child should ride at a time.
12. Maximum weight for a child on this trike is 25kg.
13. Suitable for children from 10 months and above using the appropriate configuration setup.
14. Ensure that any loose clothing or straps are properly fastened and kept away from the front and rear wheels.
15. Never place hands near turning wheels.
16. This trike should be used with caution since skill is required to avoid falls or collisions which may cause injury to the user or any third party.
17. Any self-locking trike nuts and other self-locking elements can lose their effectiveness if released frequently.

Pictures for illustration purposes only. Actual product appearance may vary.

CAUTION!
Contents of this package include small parts for assembly of this product.
These parts could be hazardous for small children.

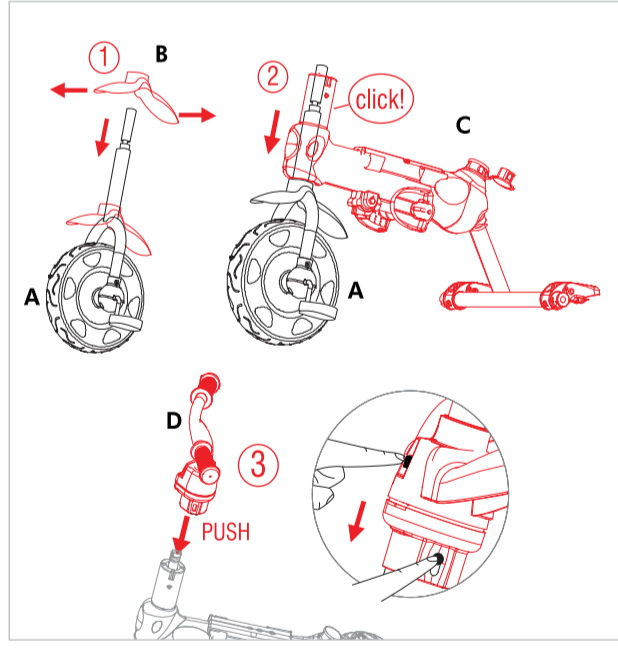
MAINTENANCE
Regularly check to ensure that all fasteners have not become loose. Repeated loosening and tightening of fasteners over time may decrease their effectiveness. Once assembly is complete, refrain from dismantling your Explorer Plus in order to maximise the longevity of the product. To test the lubrication of wheel bearings, lift the product and spin each wheel individually. Any resistance to the spin should be corrected by applying a lithium or silicon based lubricant. Periodically check to ensure that the height of the seat back is correctly positioned for your child. As your child grows, height adjustable components should be raised accordingly. Keep this manual and your original sales receipt in a safe place for future reference or to pass on to any subsequent users.

PARTS

VISUAL	PART	QTY.	VISUAL	PART	QTY.
	A. Front wheel housing	1		G. Head rest	1
	B. Mud guard	1		H. Safety enclosure	1
	C. Trike body	1		I. Canopy	1
	D. Steering column	1		J. Rear Tray	1
	E. Rear wheels	2		K. Parental push handle	1
	F. Seat	1			

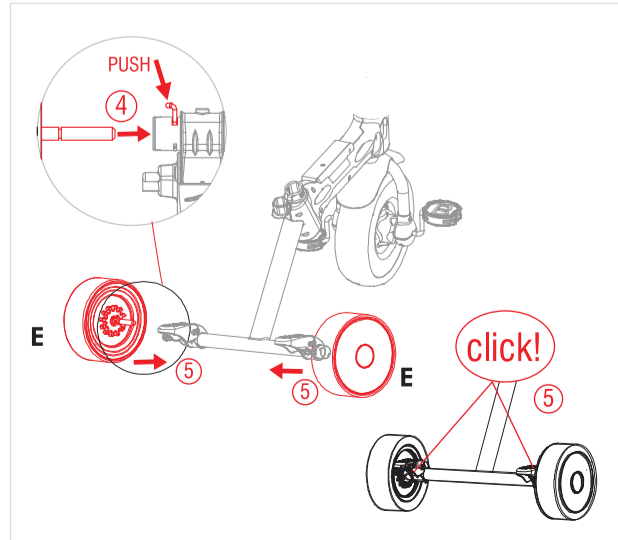
This product contains screws that are pre-installed. These may need to be removed in order to be used during installation. Please use an appropriate screwdriver/spanner to tighten screws during assembly.

TRIKE BODY



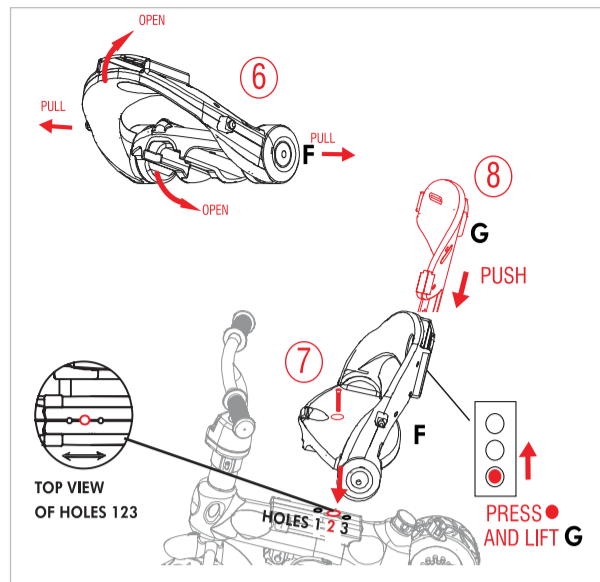
1. Place the plastic mudguard (**B**) over the front wheel assembly (**A**). Slide it down all the way till it sits in place over the front wheel fork.
2. Slide the Trike body (**C**) over the front wheel housing (**A**) and push downward until you hear a "click" indicating it has locked securely into place. Test.
3. Align the steering column (**D**) over the front wheel housing and trike body. Press the black button and push down firmly till it engages securely. Test.

REAR WHEELS



4. With the embedded axle facing inward toward the rear axle of the Trike body, align each Rear wheel (**E**) with the corresponding hole at each end of the tube.
5. Insert each wheel pushing down on the wheel release tab until you hear a "click" indicating it has locked secure into place. Test.

SEAT & HEAD REST



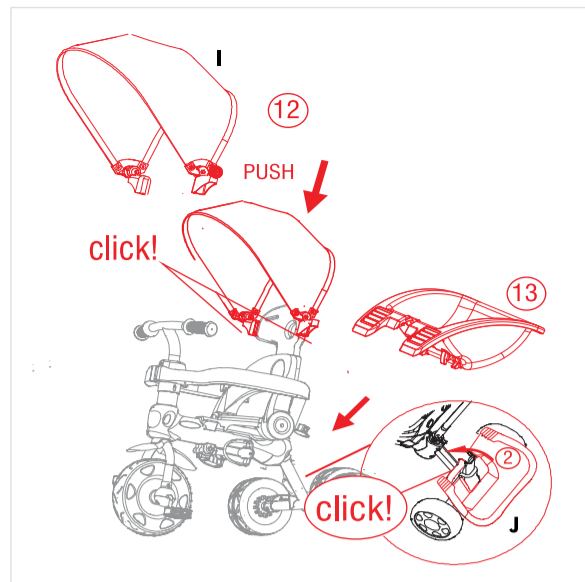
6. Open the seat (F) by pulling the circular side pivots apart while slowly pulling the seat bottom downward.

7. Remove M6 screw from central hole on the trike body. Align the seat to central hole and secure with M6 screw. STAGE 2 & 3 : On removing the safety enclosure, you may secure the seat to any one of the three holes on the trike body.

8. Insert head rest (G) into the slot at the rear of the seat (F). To adjust the height of (G), press the button at (F) and simultaneously lift (G) to the desired level.

Test to ensure that all attachments are secure before use.

CANOPY & REAR TRAY



HEAD REST

13. Insert the head rest (H) "sleeve" over the safety enclosure housing (G) at the rear of the seat. It is fully secured when the button fully engages in the hole with a "click" sound.

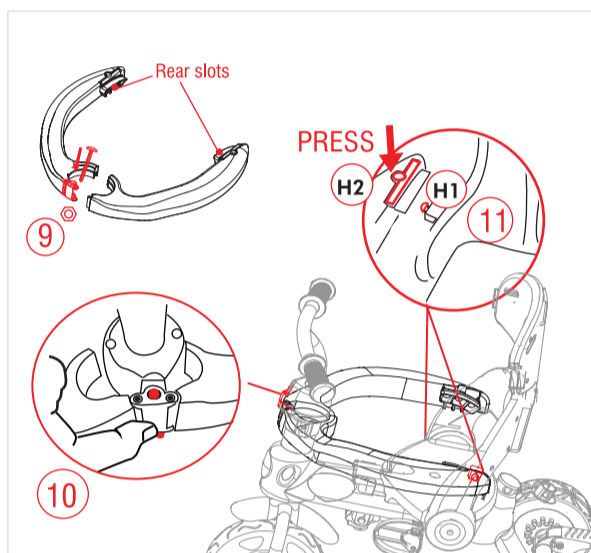
CANOPY

14. Slide the canopy housing (I) over the corresponding points at the side of the head rest (H).

REAR TRAY

15. Align the two brackets on the underside of the rear tray (J) over the rear axle tube and push down firmly to engage. Swivel the tray firmly forward till the front locks over the rear trike leg.

SAFETY ENCLOSURE

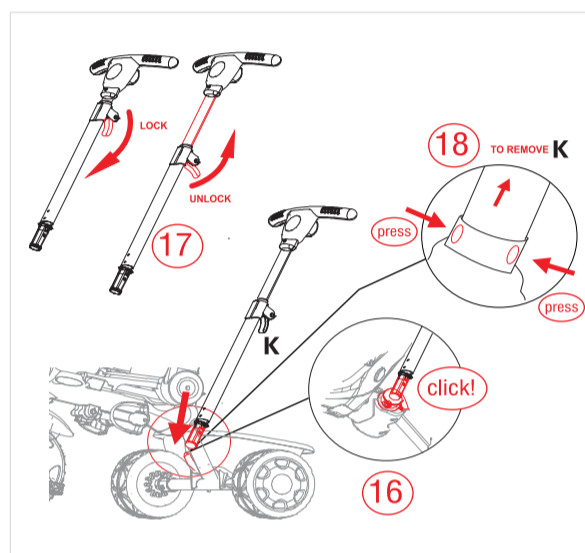


9. Assemble the safety enclosure joint using the pre-installed screw and bolt.

10. Install the enclosure around the front of the trike leg and secure by pressing the enclosure joint over the red buttons so that they are visible through the top and bottom of the enclosure joint. Press red buttons to remove safety enclosure in Stage 2 and 3.

11. Adjust the seat to the desired recline or upright position by simultaneously pulling the circular seat pivots outward (step 6). Align rear slots with the corresponding housing on the seat back (H1) and insert. Press down on the spring loaded button (H2) on either side to secure in place till you hear a click. Test.

PARENTAL HANDLE

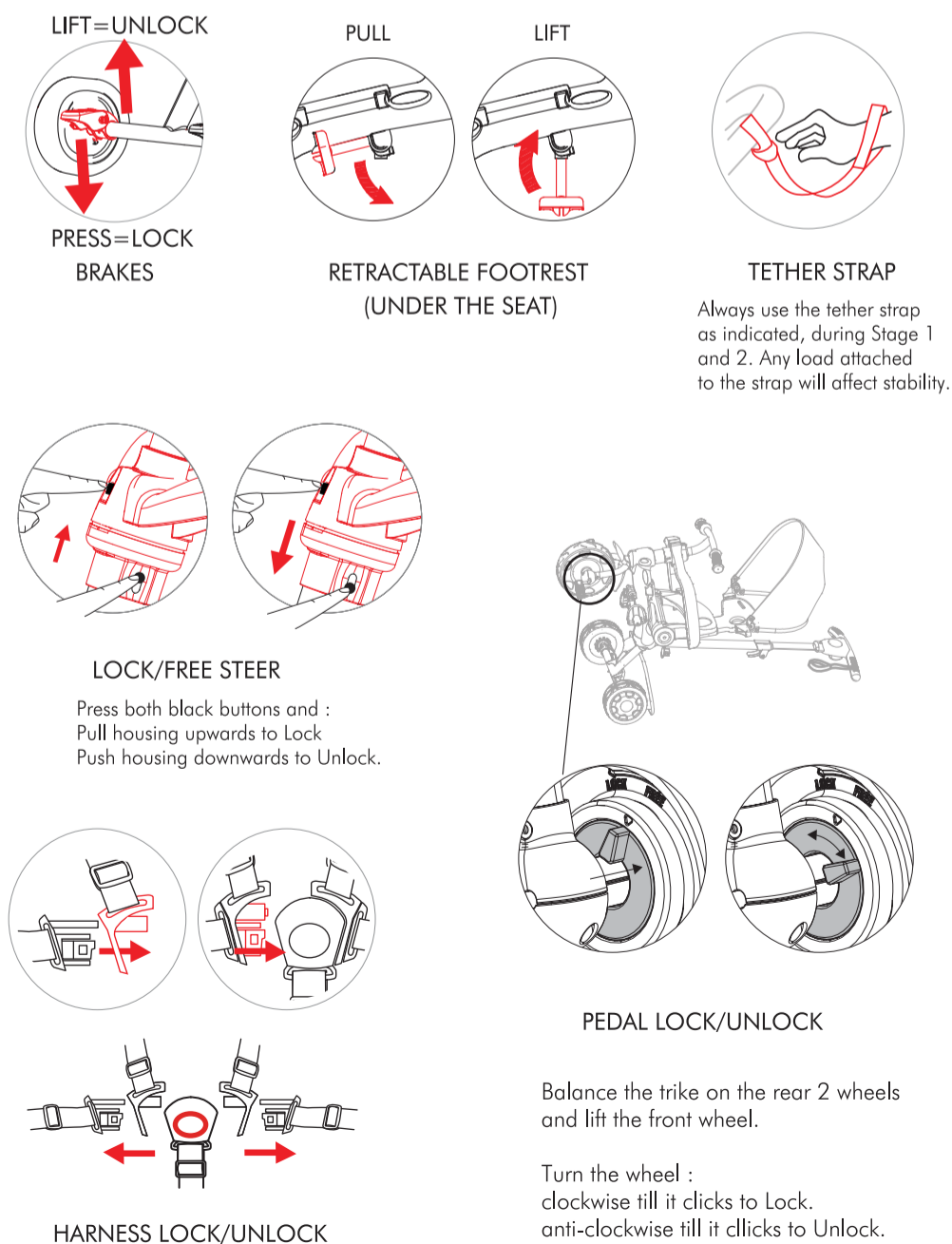


16. Locate and open the parental handle holder cap at the rear of the trike. Align the parent handle (K) with the tube and insert until it is fully engaged. You will hear a "click." Test.

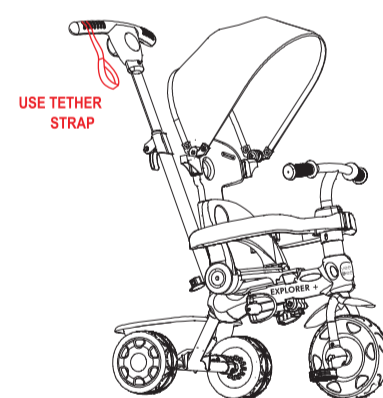
17. You can adjust the handle height to suit by opening the lock, pulling/pushing the tube to the desired height, and re-locking.

18. To remove, press the two buttons together on either side of the parental handle base and pull upwards.

KEY FUNCTIONS



STAGES OF USE

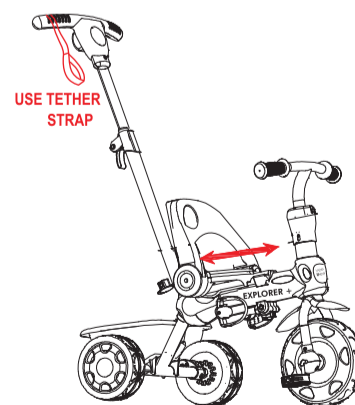


STAGE 1 (10 months)

Set up your trike with:

- the retractable footrest in the down position
- the safety enclosure installed
- the pedals in operational mode
- the parent handle firmly in your grasp.

Be sure to strap your baby into the harness when in use. You have complete control of the trike as you push your baby and they develop balance and motor skills while enjoying the ride.

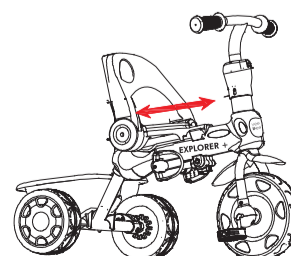


STAGE 2 (24 months)

Set up your trike for active training by:

- retracting the footrest
- the pedals in freewheel mode
- removing the safety enclosure
- attaching the seat to holes 1/3 (step 7)

Your child can now participate in the riding process, learning to pedal and steer as you guide with the height adjustable parent handle.



STAGE 3 (36 months)

Your child should now be ready to go it alone! Remove parent handle. Watch your child as they discover their newfound (30 months) independence.