

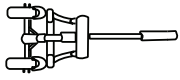

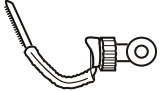
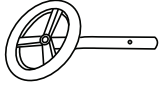


veebee  
by valcobaby

# CO-RIDER





Assembly Instructions



## PARTS

VISUAL	PARTS	Q'TY
	A. Chassis (with M6 screw & nut)	1
	B. Seat	1
	C. Connector	1
	D. Steering wheel (with M6 screw & nut)	1
	E. Back wheel	2
	F. Mud Guard	2

## HARDWARE

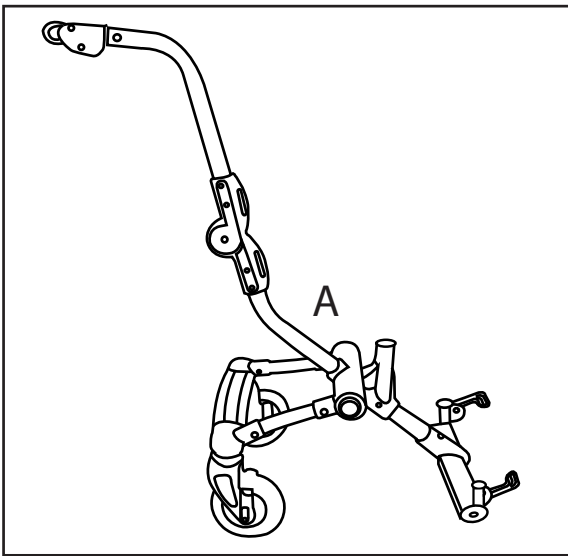
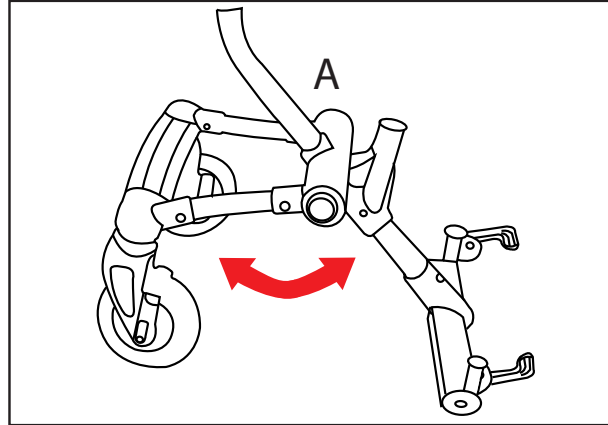
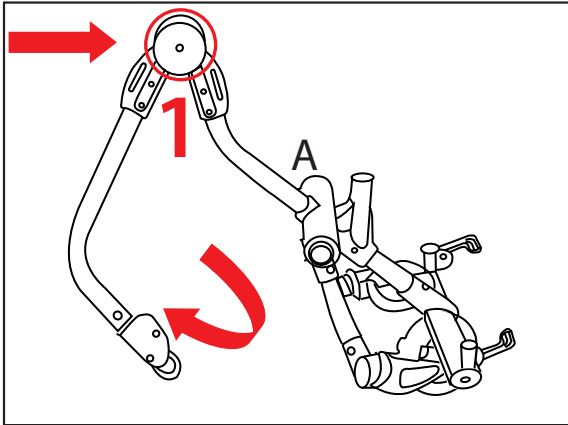
VISUAL	PARTS	Q'TY
	G. M4 Screw	2
	H. M6 Screw	2
	I. M6 Nut	2
	J. Multi tool	1

	K. Open ended wrench	1
--	-------------------------	---

## IMPORTANT NOTES

- Please read the instruction sheet carefully before you start assembly and keep for future reference.
- Remove all components from the carton and check that they are complete as per the parts list. Please contact your dealer in case of any missing parts.
- The Rider is built for children aged 15 months and above, with a body weight of up to 25kg
- The Rider is developed for use with prams, strollers and buggies. It may not be suitable for baby carriages without an appropriate spot on the handle for attaching the Rider. Please consult your specialist dealer before purchase.

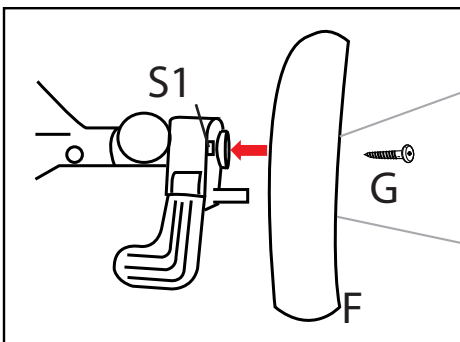
## STEP 1 UNFOLDING THE CO-RIDER



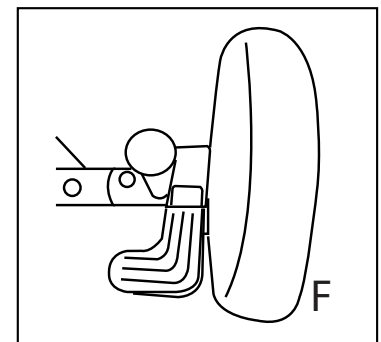
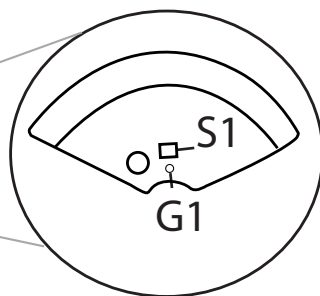
1.1 Press button (1) and lift the handle up till it is fully extended.

1.2 Pull the two sections in opposite directions until you hear the centre shaft click into the locked position.

## STEP 2 MUD GUARD INSTALLATION



Attaching the Mud Guard

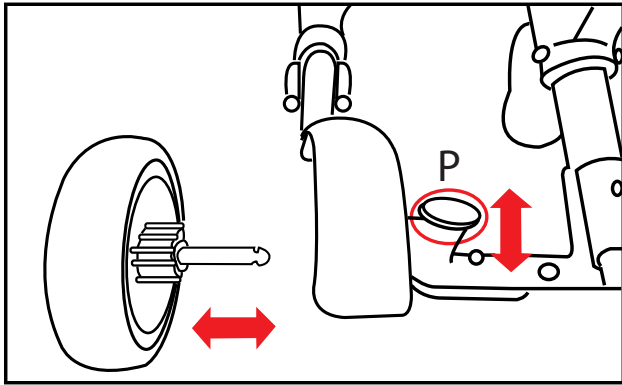


Installed Mud Guard

Attach the Mud Guard (F) on to the wheel housing in a way that it aligns with square hole (S1) with the flat side facing inward.

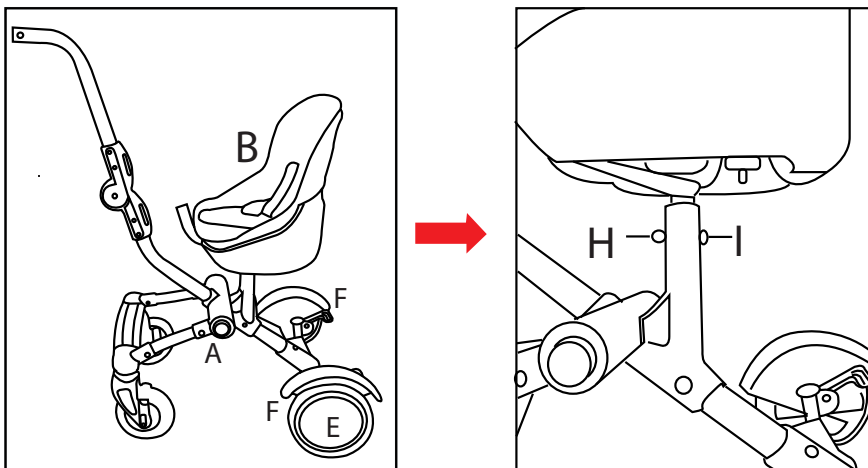
Insert one M4 screw (G) into the hole (G1) and secure it. Repeat this procedure for the second Mud Guard on the other side. Test that both Mud Guards are securely fastened.

### STEP 3 REAR WHEEL : INSTALLATION/REMOVAL



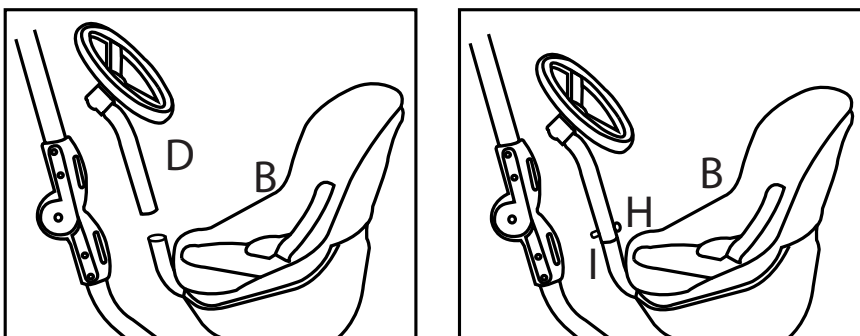
- For easy installation/removal,
- lift Pin (P)
  - push wheel inside/pull wheel outside
  - release Pin (P)

### STEP 4 SEAT ASSEMBLY



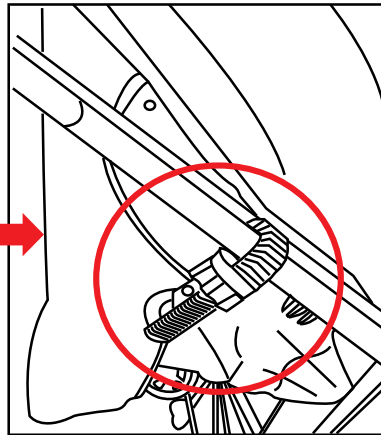
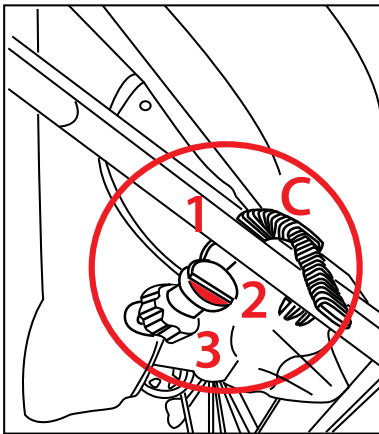
Insert the seat into the seat post.  
Fasten it with the M6 Screw(H) and M6 Nut(I).  
Test to make sure it is fully engaged.

### STEP 5 STEERING WHEEL ASSEMBLY



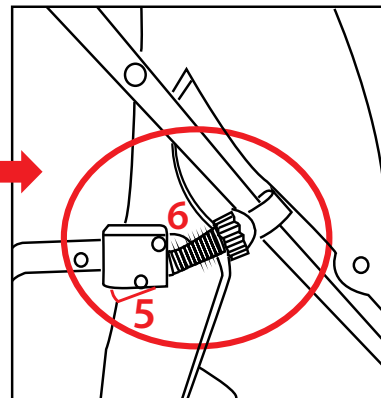
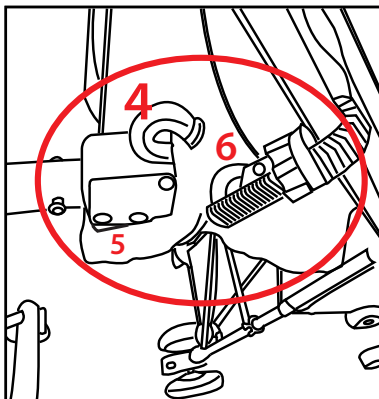
Insert the steering wheel tube into the handle post.  
Fasten it with the M6 Screw and M6 Nut.  
Check if the attachment is secure, before use.

## STEP 6 CONNECTING CO-RIDER TO THE BABY CARRIAGE



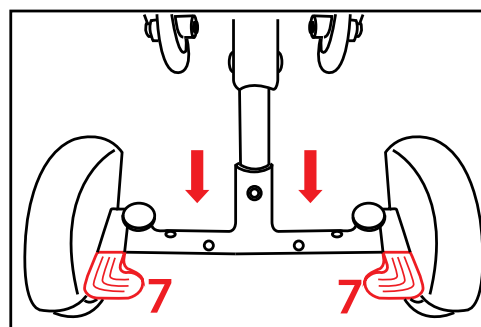
6.1 Wrap the Flexible strap of the Connector (C) around the stroller frame tubing (1). Insert it through the plastic slot (2).

6.2 Turn the knob (3) till it is secure.



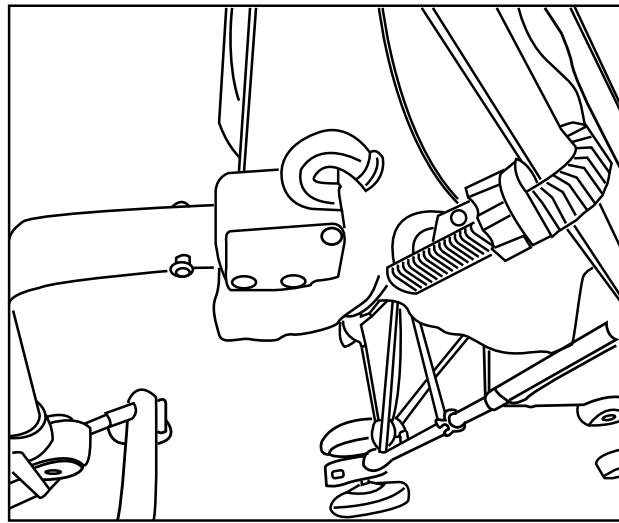
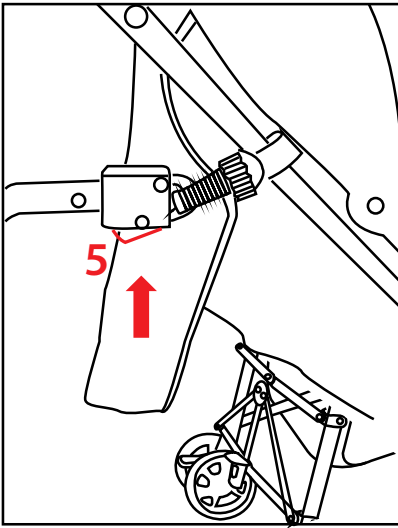
6.3 Press the button (5) to release hook (4). Insert the hook through the connector ring (6) and lock back by pressing button (5).

Follow Step 6.2 to tighten.



6.4 To apply brakes, press down on each of the pedal levers (7). Lift each gently to release.

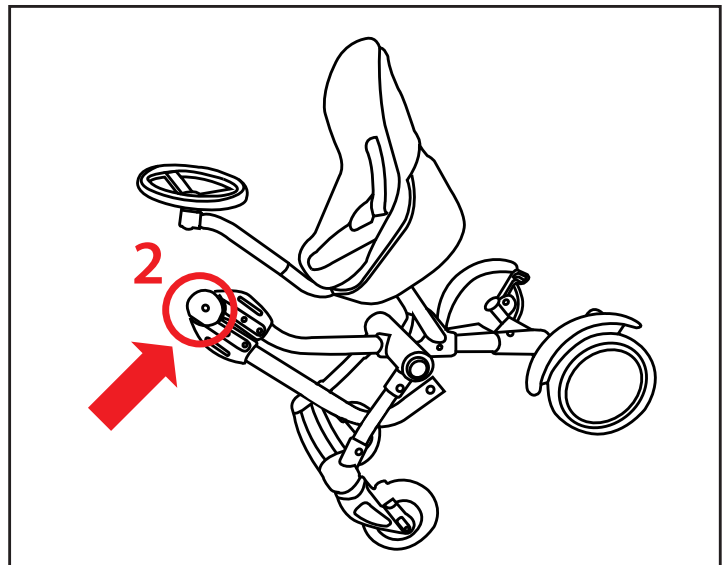
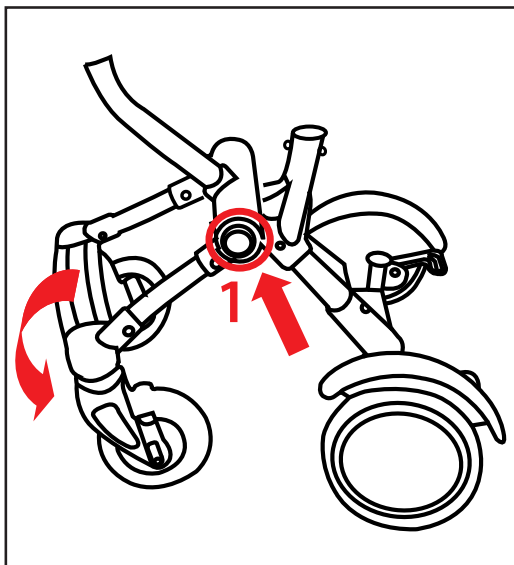
## DISCONNECTING THE CO-RIDER



Press button (5) and pull hook to release.

Disengage the hook from the ring to separate your Co-Rider from the frame.

(Leave the connector attached to the frame for future easy connection and access)



Press the lower button (1) and push the front wheel downwards.

Press the main upper button (2) and push the handle down.

## SAFETY INSTRUCTIONS

- Do not use the Co-rider until your child can sit independently and without assistance. Children must only be allowed to use this product in a seated position.
- The Co-rider connector is meant to be connected on the frame at the rear side of the pram.
- Let your child alight before reaching pavement edges, stairs, steep paths, tight corners and whilst manoeuvring backwards.
- The co-rider may not be suitable for all prams. Please consult your dealer before purchase.
- Make sure the Co-rider is correctly connected to the pram before use.
- Ensure all screws and mountings of the product are sitting firmly and all parts are connected appropriately, from time to time.
- Do not make any alterations to the Co-rider to avoid compromising its safety.
- In the event of any possible damage to the Co-rider, only original replacement parts from the manufacturer must be used for repair.
- The Co-rider is not suitable for use on snow or soft surfaces.
- Clean all the parts and wheels from time to time with warm soapy water.
- Please keep the Co-rider packaging materials away from children.
- Keep the instruction manual carefully for any possible subsequent users.

### WARNING

- The Co-rider is not a toy. **Never leave your child unattended.**
- The use of this product is admissible only if there is one child sitting in the pram or buggy with a second child on the Co-rider. The push-car handles of the pram must be held tightly with both hands by an adult.
- The Co-rider must not be used if you go jogging or skating with the pram.
- The Co-rider is designed for children **over 15 months of age with a maximum weight of 25kg.**
- In order to guarantee the safety and functionality of the device, avoid any overloading. Under any circumstances, do not use it for transporting other items.

For more accessories and further information  
visit [www.veebee.com.au](http://www.veebee.com.au)

veebee  
by valcobaby