

# RICO

## Cradle/Bassinet

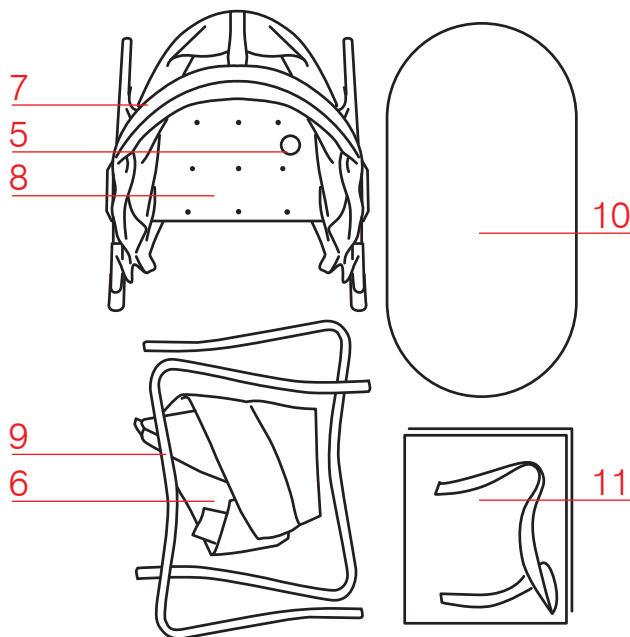
### IMPORTANT : READ CAREFULLY AND KEEP FOR FUTURE REFERENCE

Thank you for purchasing a quality Baby Inc product. Please read and follow the instructions outlined in this guide carefully. Familiarise yourself with the construction and safety features; be sure that you understand all the warnings and safety guidelines before use.

**DISCLAIMER:** Due to our policy of continuous product development, this product is constantly evolving. It is possible that some features or procedures outlined here have changed since this document was written. If you are unsure of any procedure shown here, please contact us via email at [info@valiantbrands.com.au](mailto:info@valiantbrands.com.au) to obtain the most up to date information before use. Include the batch number and model number, which can be found on a sticker on the frame.

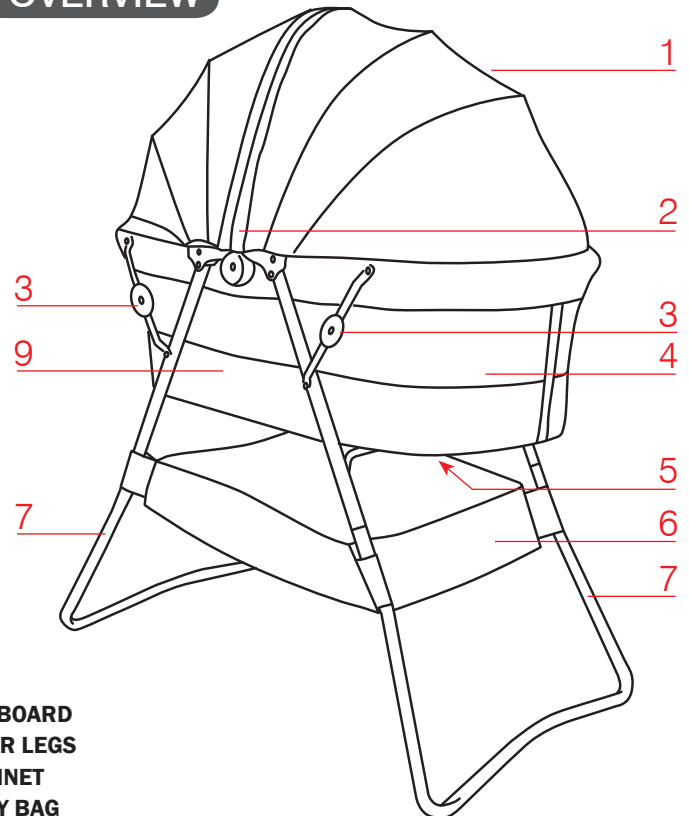
All pictures and diagrams herein are provided for illustration purposes only. Actual product, colour or fabric may vary. Baby Inc/Valco Baby reserves the right to modify or alter any specification or colour without notice or obligation to modify any product previously purchased

#### PARTS



- |                    |                    |              |
|--------------------|--------------------|--------------|
| 1 HOOD             | 5 ANGELCARE ACCESS | 8 BASEBOARD  |
| 2 HOOD ZIPPER      | 6 BASKET           | 9 LOWER LEGS |
| 3 LOCK             | 7 BASSINET SECTION | 10 BASSINET  |
| 4 VENTILATION MESH |                    | 11 CARRY BAG |

#### OVERVIEW



#### ICONS



**IMPORTANT WARNING:**  
ALWAYS REFER TO THE WARNINGS PAGE WHEN YOU SEE THIS SYMBOL



**NEVER LEAVE YOUR CHILD UNATTENDED**



**ENSURE THAT ALL LOCKING MECHANISMS ARE ENGAGED BEFORE USE**



**TO AVOID INJURY ENSURE THAT YOUR CHILD IS KEPT AWAY WHEN UNFOLDING AND FOLDING THIS PRODUCT.**



**ALWAYS USE THE RESTRAINT SYSTEM**

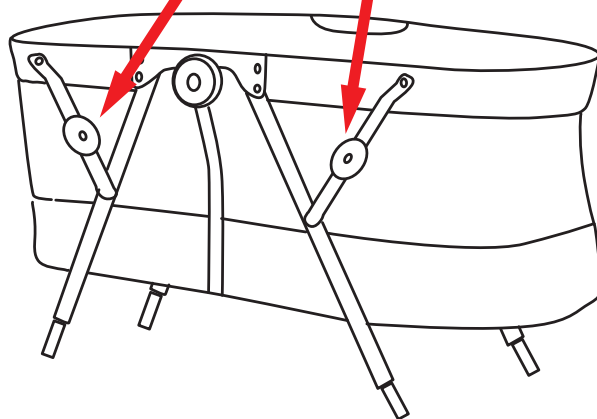
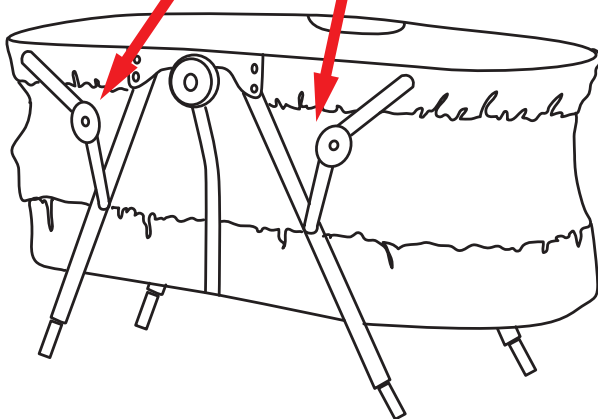
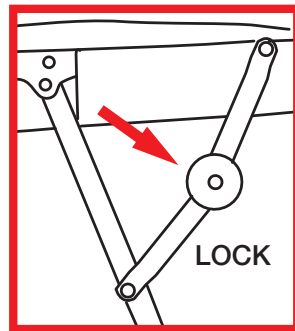
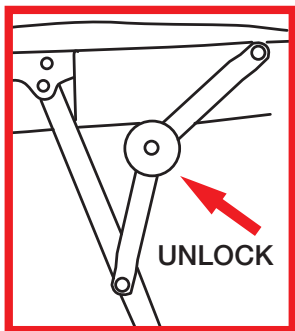
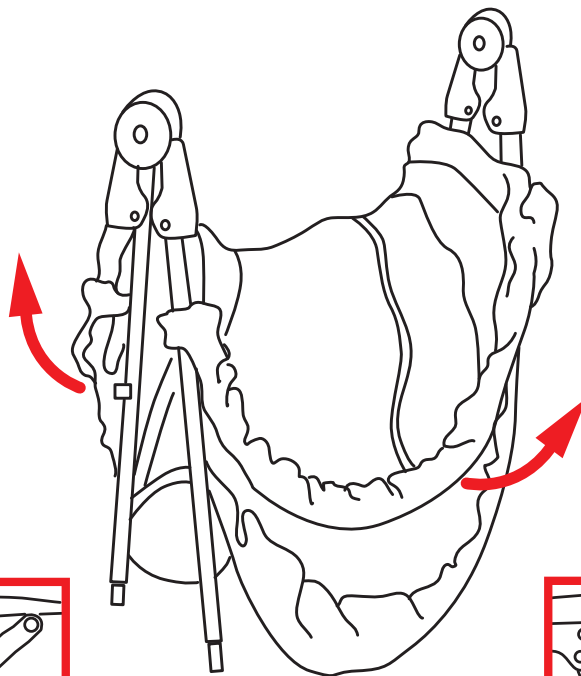
FURTHER INFORMATION:  
[valcobaby.com.au](http://valcobaby.com.au)

Find us on:

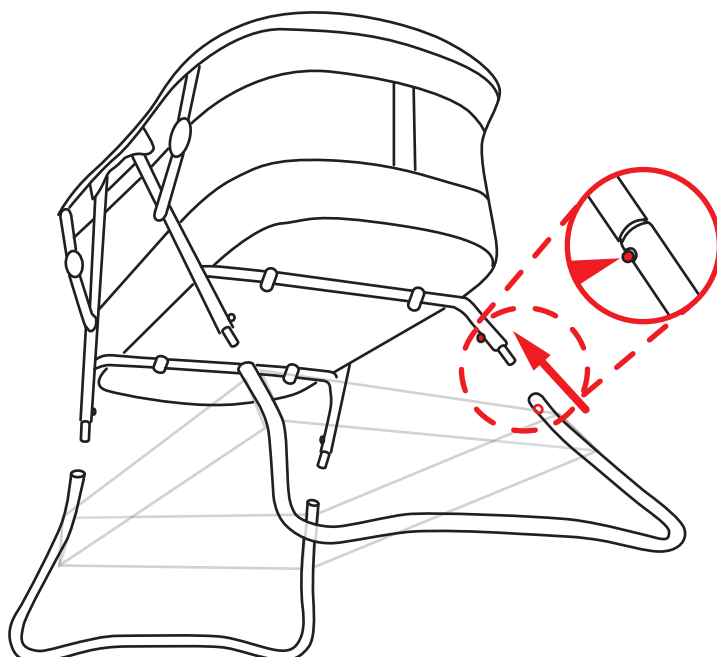
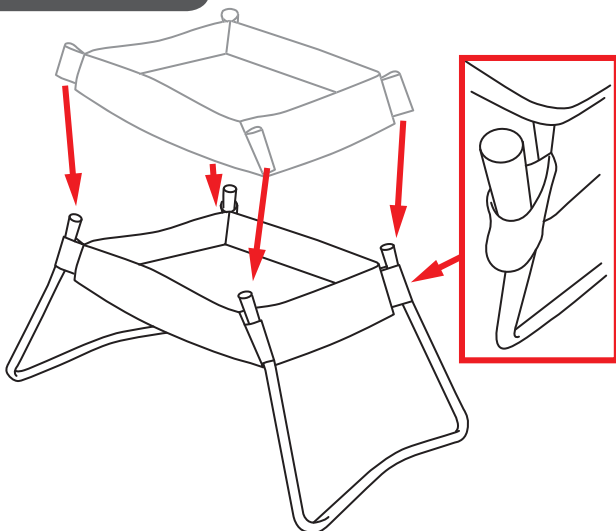


@valcobabyaus

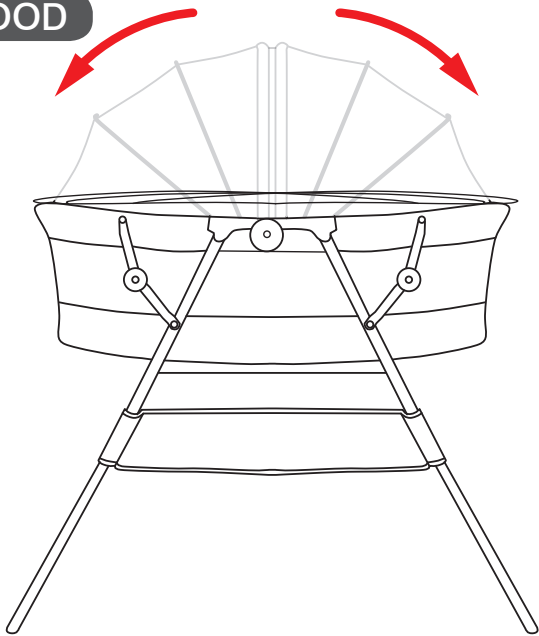
TO OPEN



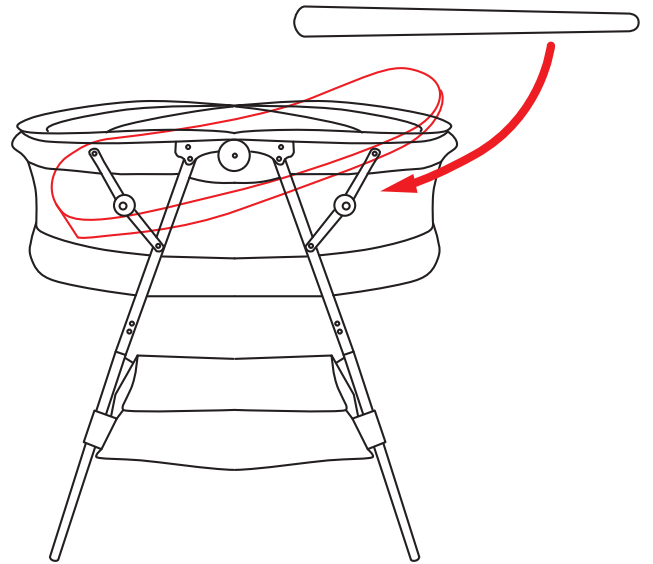
LOWER LEGS



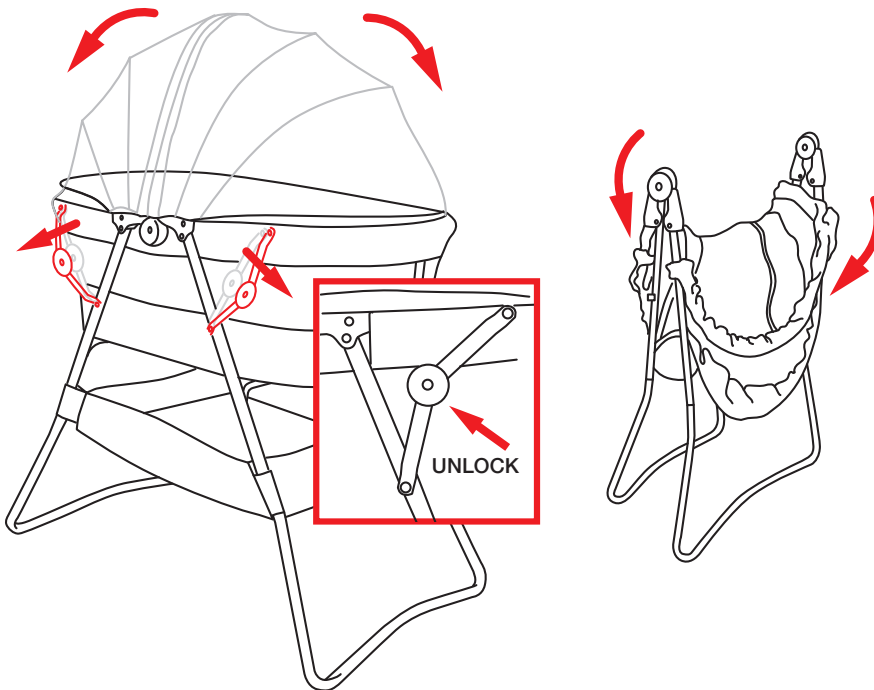
**HOOD**



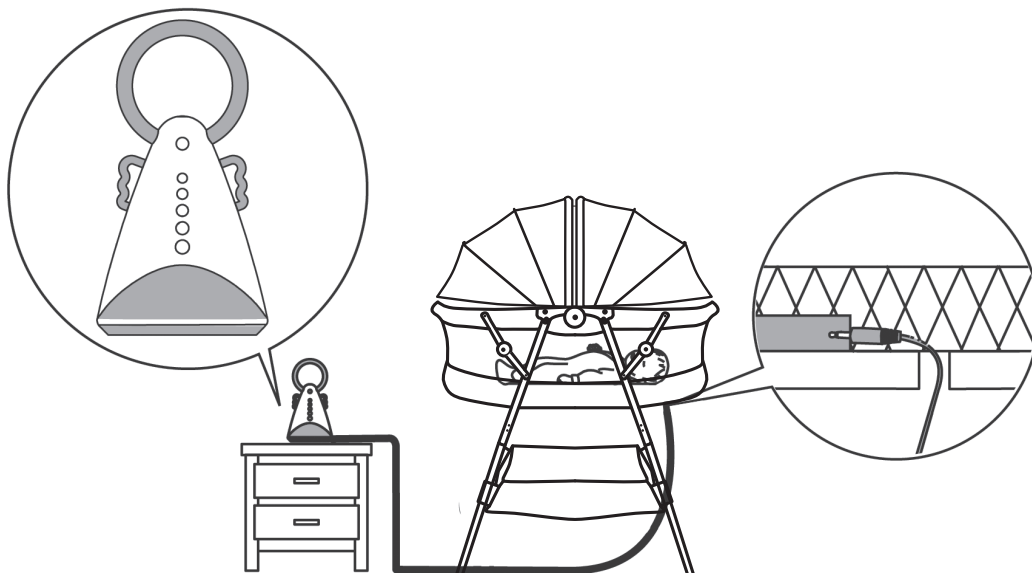
**MATTRESS**



**FOLD**



**OPTIONAL ANGELCARE WIRED MOVEMENT PAD**





# **WARNING: TO AVOID INJURY OR DEATH**



## **WARNING: DO NOT USE THIS PRODUCT WITHOUT READING THE INSTRUCTIONS FOR USE FIRST.**

**STOP USING THE PRODUCT AS SOON AS THE CHILD CAN SIT OR KNEEL OR PULL ITSELF UP.**

- EVEN WHEN YOUR CHILD IS ASLEEP, YOU MUST STILL PROVIDE THE SUPERVISION NECESSARY FOR THE SAFETY OF YOUR CHILD.
- PRODUCT SHOULD BE PLACED ON A HORIZONTAL FLOOR.
- YOUNG CHILDREN SHOULD NOT BE ALLOWED TO PLAY UNSUPERVISED IN THE VICINITY OF THE CRIB.
- THE CRIB SHOULD BE LOCKED IN THE FIXED POSITION WHEN THE CHILD IS LEFT UNATTENDED.

## **AVOID SUFFOCATION HAZARDS**

### **⚠ WARNING**

- ONLY USE THE MATTRESS SOLD WITH THIS CRIB, DO NOT ADD A SECOND MATTRESS ON THIS ONE, SUFFOCATION HAZARDS.  
THE MATTRESS HAS A CERTAIN LENGTH AND WIDTH AND IS LESS THAN ONE INCH (2.5CM) THICK. USING A THICKER OR DIFFERENT SIZED MATTRESS MAY ALLOW A CHILD'S HEAD TO GET BETWEEN THE MATTRESS AND THE SIDE OF THE BASSINET AND CAUSE SUFFOCATION. TO AVOID THIS USE ONLY THE MATTRESS PROVIDED.
- INFANTS CAN SUFFOCATE ON SOFT BEDDING, NEVER USE ADDITIONAL MATTRESS OR PADDING.
- DO NOT USE MORE THAN ONE MATTRESS IN THE PRODUCT.
- PLACING ADDITIONAL ITEMS IN THE PRODUCT MAY CAUSE SUFFOCATION.
- DO NOT PLACE THE PRODUCT CLOSE TO ANOTHER PRODUCT, WHICH COULD PRESENT A DANGER OF SUFFOCATION OR STRANGULATION, E.G. STRINGS, BLIND/CURTAIN CORDS, ETC.

## **AVOID STRANGULATION HAZARDS**

### **⚠ WARNING**

- DO NOT HANG STRINGS ON OR OVER THE BASSINET. DO NOT ATTACH STRINGS TO TOYS.
- DO NOT PLACE ITEMS WITH A STRING AROUND A CHILD'S NECK, SUCH AS HOOD STRINGS OR PACIFIER CORDS.
- READ ALL THE INSTRUCTIONS BEFORE ASSEMBLY AND USE OF THIS PRODUCT. IN CASE OF DIFFICULTIES, PLEASE CONTACT THE STORE FROM WHICH YOU PURCHASED IT.
- DISCONTINUE USING YOUR BASSINET SHOULD IT BECOME DAMAGED OR BROKEN.
- NEVER PLACE CHILD IN THE STORAGE BASKET.
- NEVER USE BASSINET AS A CAR BED. NEVER CARRY BASSINET WITH A CHILD IN IT.

## **CARE AND MAINTENANCE**

- FROM TIME TO TIME CHECK YOUR BASSINET FOR WORN PARTS, TORN MATERIAL OR STITCHING. REPLACE OR REPAIR THE PARTS AS NEEDED. USE ONLY VALCO REPLACEMENT PARTS
- BASSINET FABRIC AND FITTED SHEET MAY BE MACHINE WASHED IN COLD WATER AND ON DELICATE CYCLE AND DRIP DRY. NO BLEACH OR DETERGENT  
BASSINET: REMOVE PAD AND UNSCREW FABRIC FROM THE FLOORBOARD  
SHEET: REMOVE FROM MATTRESS.
- TO CLEAN BASSINET FRAME, USE ONLY HOUSEHOLD SOAP AND WARM WATER. DO NOT USE BLEACH OR DETERGENT.
- EXCESSIVE EXPOSURE TO SUN OR HEAT COULD CAUSE FADING OR WARPING OF PARTS.
- DO NOT USE CRIB IF ANY PARTS ARE MISSING, DAMAGED, OR BROKEN. CONTACT VALIANT ENTERPRISES FOR REPLACEMENT PARTS AND INSTRUCTIONAL LITERATURE IF NEEDED. DO NOT SUBSTITUTE PARTS.
- ALL ASSEMBLY FITTINGS SHOULD ALWAYS BE TIGHTENED PROPERLY AND CARE SHOULD BE TAKEN THAT NO SCREWS ARE LOOSE, BECAUSE A CHILD COULD TRAP PARTS OF THE BODY OR CLOTHING (E.G. STRINGS, NECKLACES, RIBBONS FOR BABIES' DUMMIES, ETC.) WHICH WOULD POSE A RISK OF STRANGULATION.
- BE AWARE OF THE RISK OF BURNING CIGARETTES, OPEN FIRES AND OTHER SOURCES OF STRONG HEAT, SUCH AS ELECTRIC BAR FIRES, ETC. IN THE NEAR VICINITY OF THE CRIB.